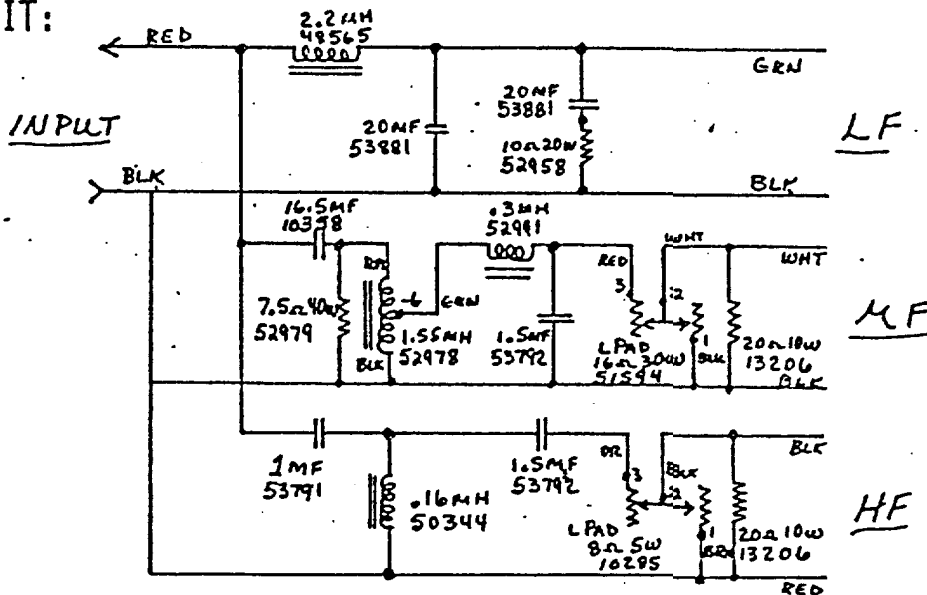


SPECIFICATIONS: NOTE ①

LOAD Z	LOW PASS	CROSS OVER	HIGH PASS	ATTENUATION
8	500HZ	1KHZ	2 KHZ	2 KHZ
	LF -2	LF -11 MF -11	MF -8	MF VAR
8		6.5KHZ	12 KHZ	12 KHZ
		MF -13 HF -13	HF -8	HF VAR

CIRCUIT:

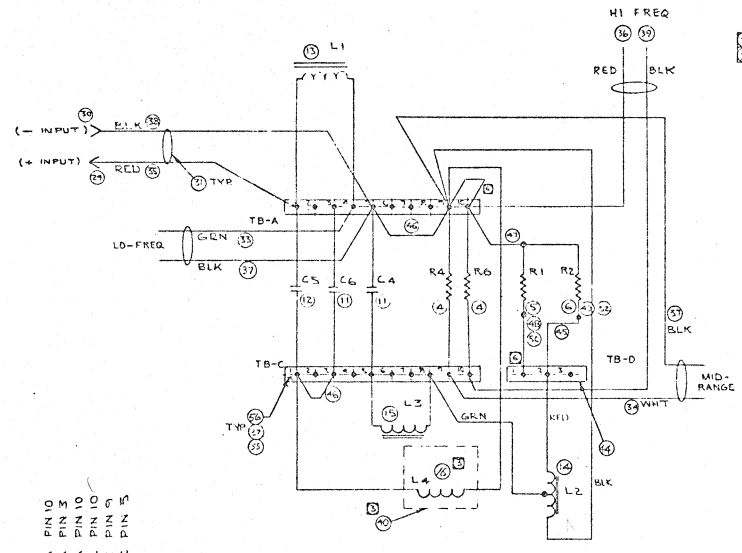
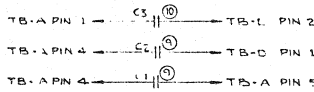
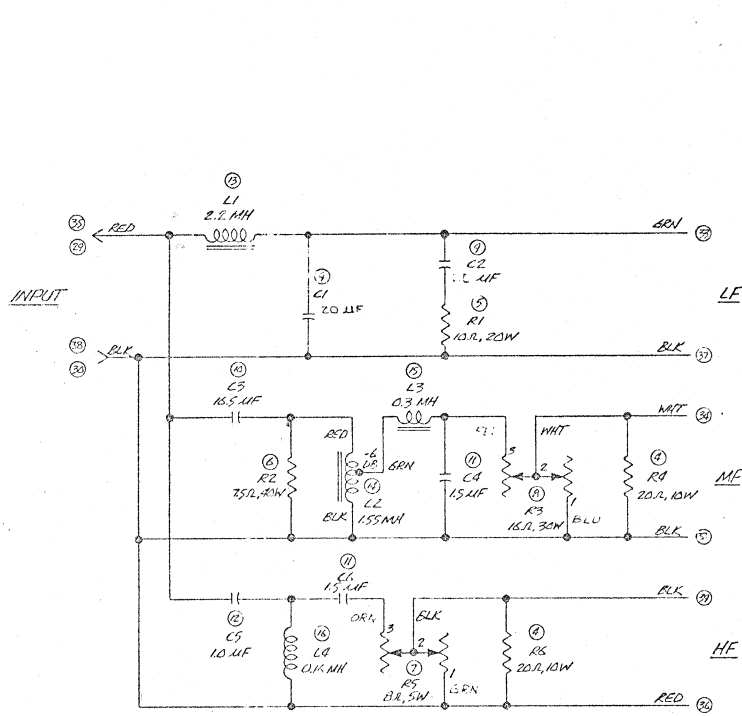


NOTES:

- ① USE STANDARD TEST FIXTURE

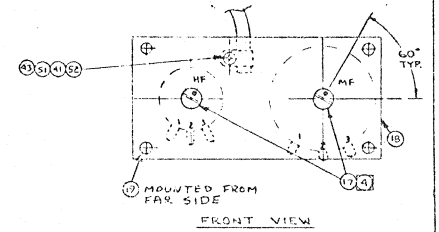
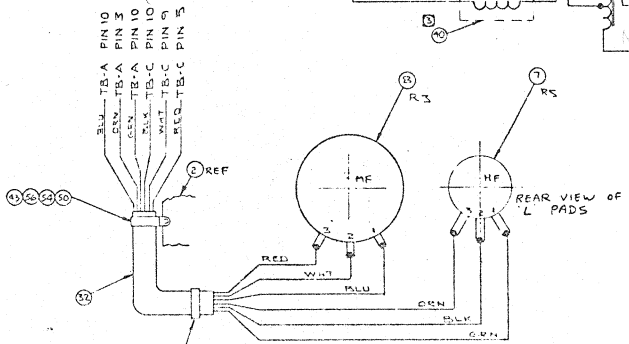
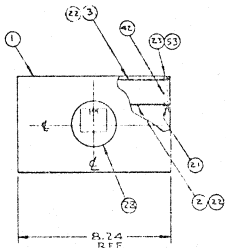
N	3-76
J	2-75

THIS DRAWING AND SPECIFICATIONS ARE THE PROPERTY OF JACOBS ENGINEERING INC. THEY ARE MADE IN GREAT BRITAIN AND SHALL NOT BE REPRODUCED, COPIED, OR USED IN ANY MANNER WITHOUT THE WRITTEN PERMISSION OF JACOBS ENGINEERING INC.



ITEM	PART NO	DESCRIPTION	QTY	
1	51031	NETWORK CAM	1	
2	52870	COVER	1	
3	52809	PREPARED COVER MRD 53814	1	
4	12206	RESISTOR 20.0, 10W MRD 35291 R4, R5	2	
5	52958	" 10.0, 20W MRD 32960 R1	1	
6	52977	" 75.0, 10W MRD 32935 R2	1	
7	10285	L-PAD 16.0	R3	1
8	51594	L-PAD 16.0	R3	1
9	53420	CAPACITOR 20 uF	C1, C2	2
10	10958	" 15.5 uF	C3	1
11	53195	" 15.4 uF MRD 53193	C4, C6	2
12	53171	" 10 uF MRD 53193	C5	1
13	48565	INDUCTOR 2.2 MH	L1	1
14	52978	" 15.5 MH	L2	1
15	52791	" 0.3 MH	L3	1
16	50384	" 0.15 MH	L4	1
17	52192	KNOB MRD 52191	2	
18	52805	MAOUNTING BOARD MRD 50291	1	
19	51201	THREADED RIVET 0-32	3	
20	11391	TERMINAL STRIP 1ST	2	
21	12813	SPEED NUT	4	
22	11387	BUSHING	7	
23	33935	SCREW 6-32 X 1/4 PL OX	4	
24	21034	" 0-32 X 3/4	2	
25	52014	" 0-32 X 1/4	4	
26	11393	BUSHING	1	
27	11495	NUT 4-40	2	
28	52032	FOILCAL MRD 52034	1	
29	53173	TERMINAL MALE	1	
30	53289	" FEMALE	1	
31	52325	CABLE WIRE	2	
32	11392	WIRE GAUGE 42 LG MRD 53861	1	
33	13935	WIRE GAUGE MRD 52034	30	1
34	33795	" WHT MRD 33796	30	1
35	10420	" RED MRD 30050	24	1
36	39771	" RED MRD 30050	42	1
37	11769	" BLK MRD 30050	30	2
38	12417	" BLK MRD 30050	24	1
39	39678	" BLK " 42"	1	1
40	50291	MAOUNTING BOARD MRD 50291	1	1
41	11394	PLAT W/SHV 6 I.D.	1	1
42	53304	STANDOFF	4	4
43	53204	CLAMP	2	2
44	52931	TERMINAL STRIP 3T	1	1
45	37583	JUMPER 1" MRD 37055	1	1
46	37584	JUMPER 2" MRD 37055	2	2
47	37591	JUMPER 3" MRD 37055	1	1
48	10042	SCREW 1/4-40 X 1/2 RD HD.	2	2
49	21761	SCREW 6-32 X 3/8 RD HD.	2	2
50	48514	KEYS NL 1/4 X 1/8	3	3
51	52653	SCREW 6-32 X 1/8 FINE THD.	1	1
52	89508	KEYS NUT 6-32	3	3
53	83807	WASHER FG PL OX	4	4
54	12602	WASHER #4	1	1
55	1509	LOCK WASHER #4 I.T.	4	4
56	10044	SCREW 4-40 X 1/8	7	7

- 1 INSTALL ON ITEM 32 BEFORE PLACING ITEM 32 THRU ITEM 3
- 2 JUMPER
- 3 INDICATED ITEMS TO BE FACED IN 1770'S BAG
- 4 KNOB TO BE INSTALLED AS SHOWN WHEN SCREW OF ITEM 7 OR 8 IS ROTATED TO FULL "DOWN" POSITION. TOP OF KNOB TO PROTRUDE 25/100" ABOVE MTS BOARD SURFACE.
- 5 ITEM 40 BOND TO PATTERN OF ITEM 2 WITH SOLDER'S ADHESIVE
- 6 ITEM 16 BOND TO ITEM 4 WITH SOLDER'S ADHESIVE.
- 7 INDICATED ITEMS BOND TO ITEM 1 WITH SOLDER'S ADHESIVE
- 8 SEE 53004 REF FOR TEST SPEC.



REV	DATE	BY	CHKD	DESCRIPTION
1				ISSUED FOR PRODUCTION
2				REVISED